



ORDERING STRING R-SERIES

INNOVATION DOWN TO THE LAST DETAIL



R **P** **50** **E** **40** **D** **3** **1**

VERSION

R = retractable locating pin package

OPERATION

P = pneumatic
D = pneumatic with manual operation



SIZE

50 = Ø 50 mm
63 = Ø 63 mm

SENSOR

E = electronic sensor with M12 swivel connector - PNP
A = electronic sensor with M12 swivel connector - NPN
N = no sensor
B = electronic sensor with M8 swivel connector - PNP

STROKE

15 = 15 mm
25 = 25 mm
40 = 40 mm
50 = 50 mm
60 = 60 mm

PORTS

G = GAS
D = dual GAS ports on rear end cap

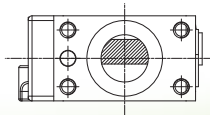


ROD TERMINATION

1 = iØ 16 mm cross-cut key rod termination
2 = iØ 10 mm cross-cut key rod termination
3 = rod termination for offset pins
4 = rod termination with key
5 = rod with flat termination dia. 10 mm
6 = rod with flat termination dia. 12 mm
7 = iØ 12 mm CNOMO termination
8 = iØ 20 mm CNOMO termination

ROD ORIENTATION (FOR TERMINATION TYPE 3)

- 1 =
- 2 =
- 3 =
- 4 =



ROD TERMINATION



* DIMENSIONAL TOLERANCE FOR DOWEL HOLES: ± 0.02
 DIMENSIONAL TOLERANCE FOR THREADED HOLES: ± 0.1

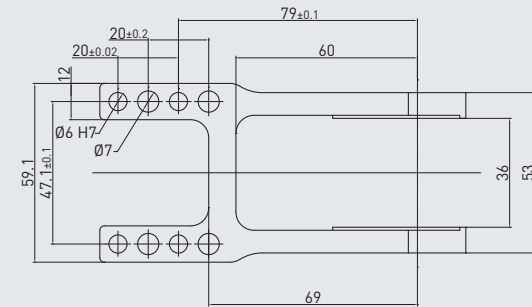
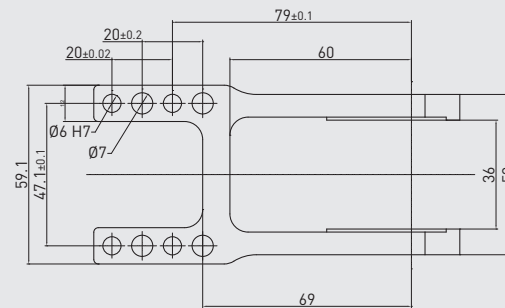
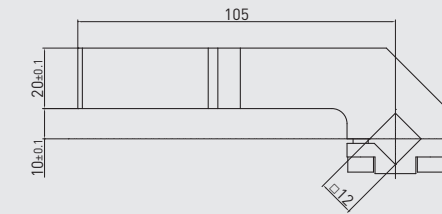
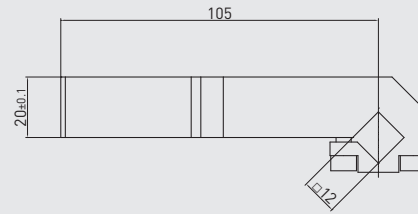
REV. 00 - 12/04/2017

CLAMPING ARMS

12 mm shaft

for clamps' size 25 mm
 and size 32 mm

Left & right clamping
 surfaces



B1213
 for size 25 mm and size 32 mm

B1214
 for size 25 mm and size 32 mm

12 mm shaft - 25 mm offset



PART NO.	MATERIAL	VERSION	WEIGHT (kg)	MAX OP. ANGLE POS. 1	MAX OP. ANGLE POS. 2	MAX OP. ANGLE POS. 3	MAX OP. ANGLE POS. 4
B1213	Aluminum	H	0.163	135°	115°	N/A	45°

Screws: M5x14 Tightening torque: 5 N m / 3.68 lb ft

12 mm shaft - 25 mm offset



PART NO.	MATERIAL	VERSION	WEIGHT (kg)	MAX OP. ANGLE POS. 1	MAX OP. ANGLE POS. 2	MAX OP. ANGLE POS. 3	MAX OP. ANGLE POS. 4
B1214	Aluminum	H	0.173	135°	115°	N/A	45°

Screws: M5x14 Tightening torque: 5 N m / 3.68 lb ft

Subject to change
 without notice

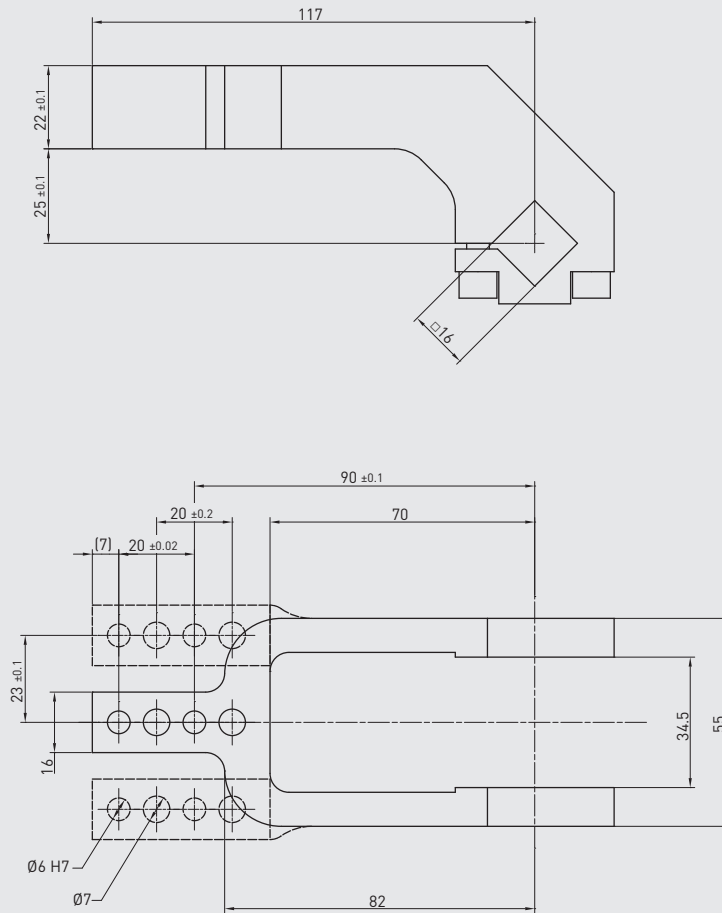


* DIMENSIONAL TOLERANCE FOR DOWEL HOLES: ± 0.02
 DIMENSIONAL TOLERANCE FOR THREADED HOLES: ± 0.1
 REV. 00 - 12/05/2017

CLAMPING ARMS

16 mm shaft

25 mm offset for
clamps' size 40 mm



16 mm shaft - 25 mm offset

PART NO.	MATERIAL	VERSION	WEIGHT (kg)	MAX OP. ANGLE POS. 1	MAX OP. ANGLE POS. 2	MAX OP. ANGLE POS. 3	MAX OP. ANGLE POS. 4
B1621	Aluminum	Central	0.25	135°	135°	N/A	45°
B1622	Aluminum	Right	0.25	135°	135°	N/A	45°
B1623	Aluminum	Left	0.25	135°	135°	N/A	45°

Screws: M6x20 Tightening torque: 10 N m / 7.37 lb ft

Subject to change
without notice

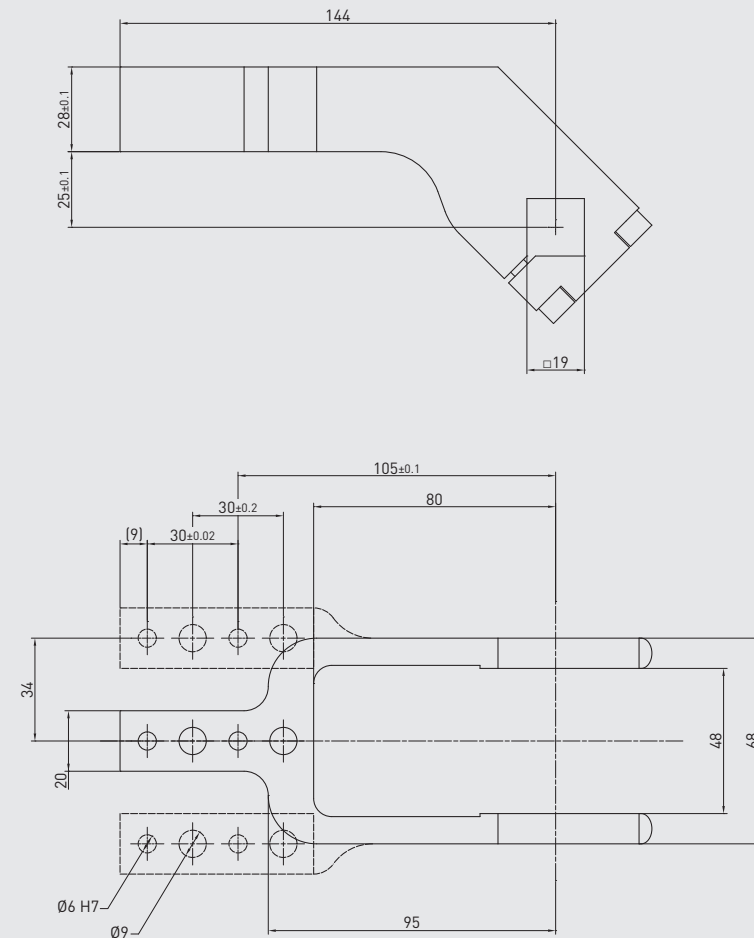
* DIMENSIONAL TOLERANCE FOR DOWEL HOLES: ± 0.02
 DIMENSIONAL TOLERANCE FOR THREADED HOLES: ± 0.1

REV. 00 - 12/05/2017

CLAMPING ARMS

19 mm shaft

25 mm offset for
clamps' size 50 mm



19 mm shaft - 25 mm offset

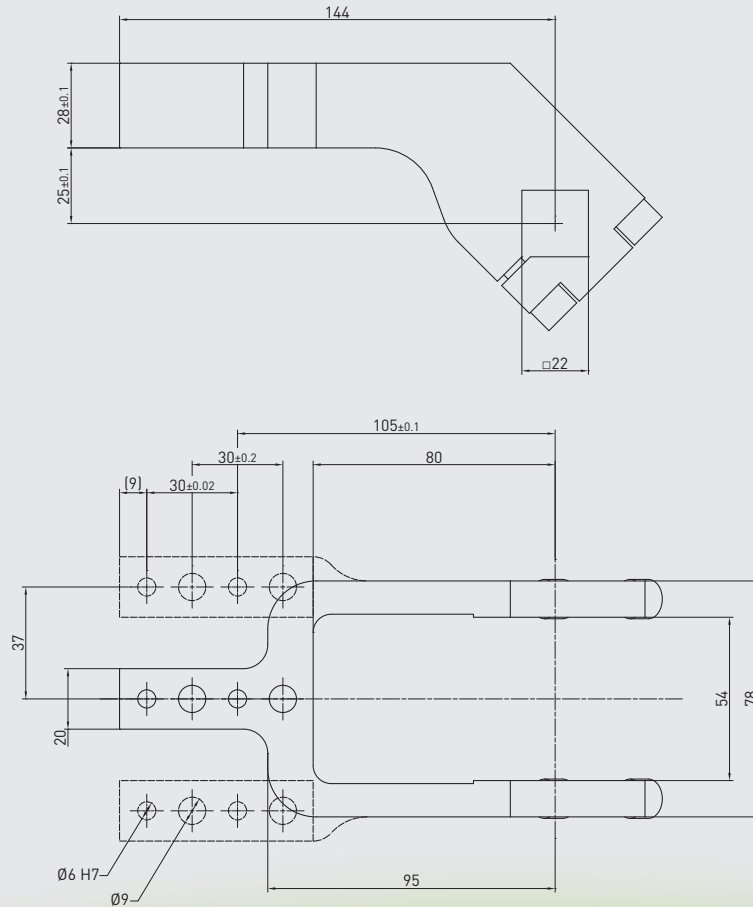
PART NO.	MATERIAL	VERSION	WEIGHT (kg)	MAX OP. ANGLE POS. 1	MAX OP. ANGLE POS. 2	MAX OP. ANGLE POS. 3	MAX OP. ANGLE POS. 4
B1921	Aluminum	Central	0.43	135°	115°	135°	80°
B1922	Aluminum	Central	0.44	135°	115°	135°	80°
B1923	Aluminum	Central	0.44	135°	115°	135°	80°

Screws: M6x25 Tightening torque: 10 N m / 7.37 lb ft

Subject to change
without notice



* DIMENSIONAL TOLERANCE FOR DOWEL HOLES: ± 0.02
 DIMENSIONAL TOLERANCE FOR THREADED HOLES: ± 0.1
 REV. 00 - 12/05/2017



CLAMPING ARMS

22 mm shaft

25 mm offset for
clamps' size 63 mm

22 mm shaft - 25 mm offset

PART NO.	MATERIAL	VERSION	WEIGHT (kg)	MAX OP. ANGLE POS. 1	MAX OP. ANGLE POS. 2	MAX OP. ANGLE POS. 3	MAX OP. ANGLE POS. 4
B2221	Aluminum	Central	0.55	135°	115°	135°	80°
B2222	Aluminum	Central	0.57	135°	115°	135°	80°
B2223	Aluminum	Central	0.57	135°	115°	135°	80°

Screws: M8x25 Tightening torque: 25 N m / 18.43 lb ft

Subject to change
without notice