



INNOVATION DOWN TO THE LAST DETAIL

* DIMENSIONAL TOLERANCE FOR DOWEL HOLES: ± 0.02
 DIMENSIONAL TOLERANCE FOR THREADED HOLES: ± 0.1
 REV. 00 - 16/06/2015

WEIGHT



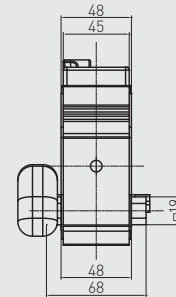
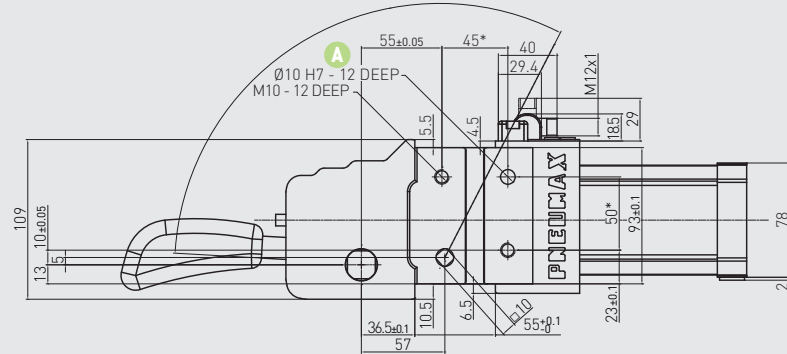
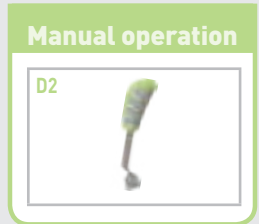
C1D_50E

Power clamp

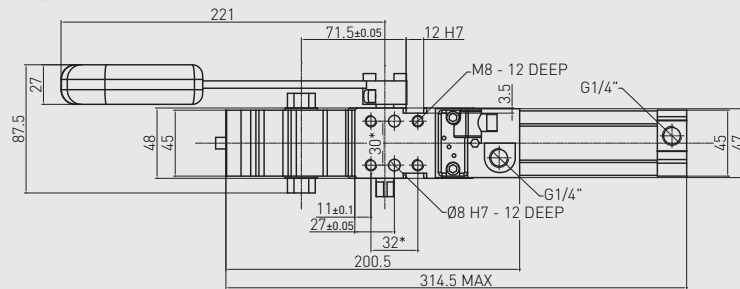
European std

50 mm bore

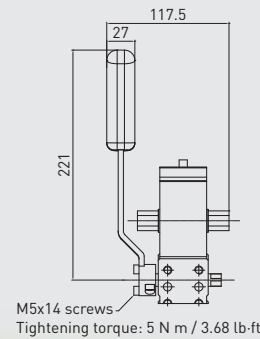
With manual operation



D1 VERSION



D2 VERSION



Handle swivel angle

Arm opening angle	Handle swivel angle A
0°	3.25°
15°	27°
30°	43°
45°	59.3°
60°	75.4°
75°	89.75°
90°	101°
105°	109°
120°	114.25°
135°	117.2°

Subject to change without notice



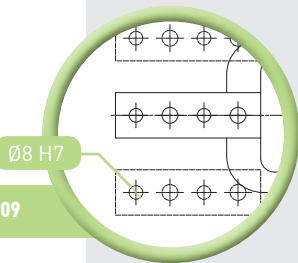
CLAMPING ARMS

19 mm shaft

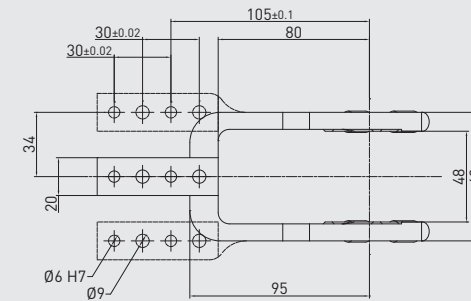
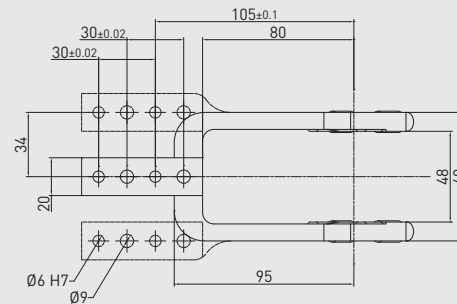
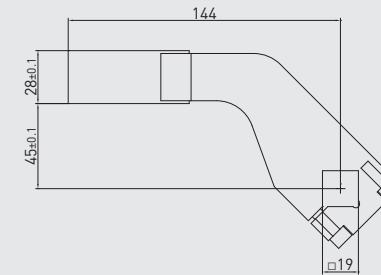
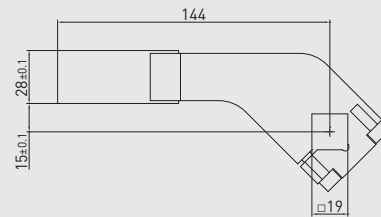


Aluminum

Steel



Mount pattern for B1907 - B1908 - B1909



19 mm shaft – 15 mm offset

PART NO.	MATERIAL	VERSION	WEIGHT (kg)	MAX OP. ANGLE POS. 1	MAX OP. ANGLE POS. 2	MAX OP. ANGLE POS. 3	MAX OP. ANGLE POS. 4
B1901	Aluminum	Central	0.41	135°	115°	135°	80°
Q1901	Steel	Central	0.71	135°	115°	135°	80°
B1902	Aluminum	Right	0.43	135°	115°	135°	80°
Q1902	Steel	Right	0.79	135°	115°	135°	80°
B1903	Aluminum	Left	0.43	135°	115°	135°	80°
Q1903	Steel	Left	0.79	135°	115°	135°	80°
B1907	Aluminum	Central	0.41	135°	115°	135°	80°
B1908	Aluminum	Right	0.43	135°	115°	135°	80°
B1909	Aluminum	Left	0.43	135°	115°	135°	80°

Screws: M6x25 Tightening torque: 10 N m / 7.37 lb-ft

19 mm shaft – 45 mm offset

PART NO.	MATERIAL	VERSION	WEIGHT (kg)	MAX OP. ANGLE POS. 1	MAX OP. ANGLE POS. 2	MAX OP. ANGLE POS. 3	MAX OP. ANGLE POS. 4
B1904	Aluminum	Central	0.45	135°	135°	135°	80°
Q1904	Steel	Central	0.77	135°	135°	135°	80°
B1905	Aluminum	Right	0.46	135°	135°	135°	80°
Q1905	Steel	Right	0.81	135°	135°	135°	80°
B1906	Aluminum	Left	0.46	135°	135°	135°	80°
Q1906	Steel	Left	0.81	135°	135°	135°	80°

Screws: M6x25 Tightening torque: 10 N m / 7.37 lb-ft

See "Special arm types" under the Accessories section at p. 236