



WEIGHT

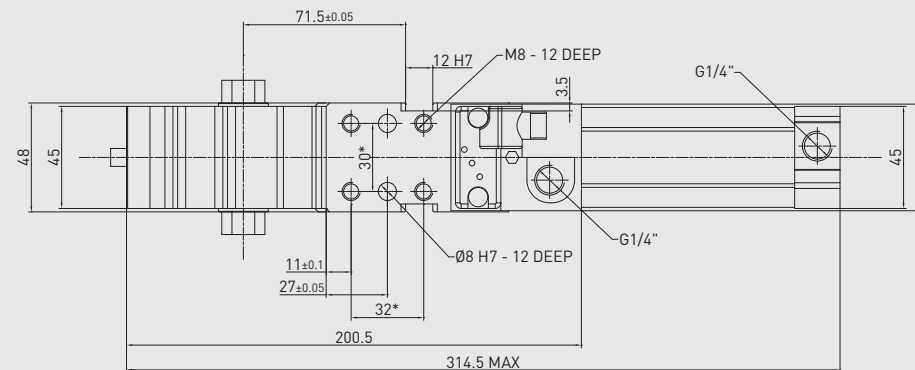
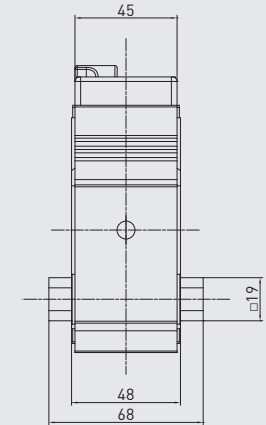
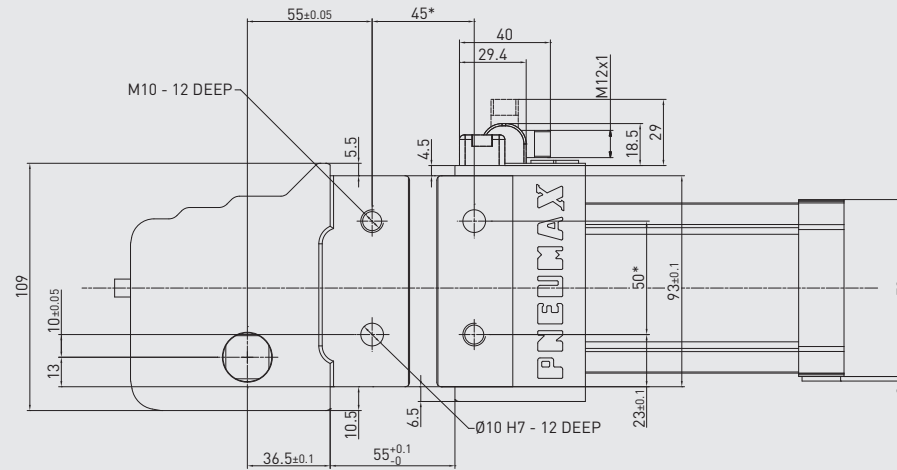


* DIMENSIONAL TOLERANCE FOR DOWEL HOLES: ± 0.02
 DIMENSIONAL TOLERANCE FOR THREADED HOLES: ± 0.1

REV. 00 - 31/03/2015

C1P50E

Power clamp
 European std
 50 mm bore



Technical features

Manual release button to open the linkage when air pressure is removed during setup.
 Pneumatic **ports on both sides** of the cylinder.

Operating features

Operating pressure from 2 to 8 bar / from 30 to 115 psi

Lubrication all the devices are lubricated for life at the factory. Inline air lubrication isn't required

Subject to change
 without notice

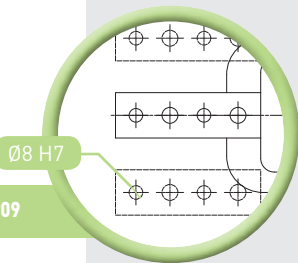


CLAMPING ARMS

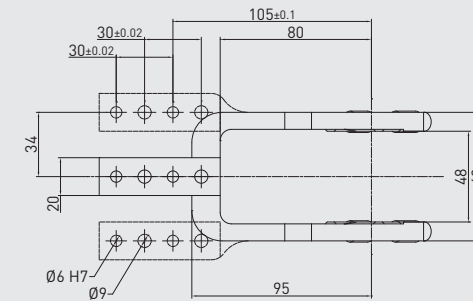
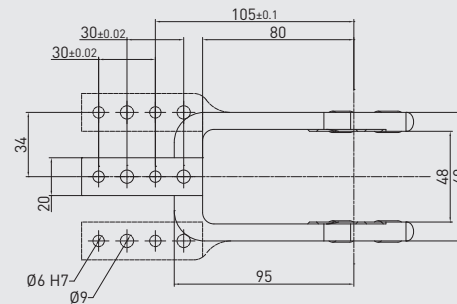
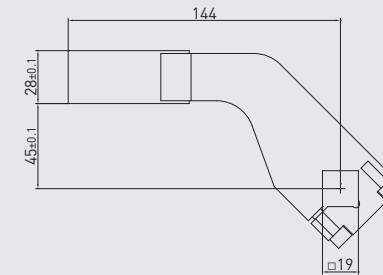
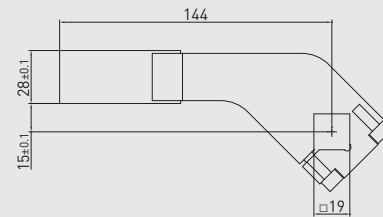
19 mm shaft



Aluminum Steel



Mount pattern for B1907 - B1908 - B1909



19 mm shaft – 15 mm offset

PART NO.	MATERIAL	VERSION	WEIGHT (kg)	MAX OP. ANGLE POS. 1	MAX OP. ANGLE POS. 2	MAX OP. ANGLE POS. 3	MAX OP. ANGLE POS. 4
B1901	Aluminum	Central	0.41	135°	115°	135°	80°
Q1901	Steel	Central	0.71	135°	115°	135°	80°
B1902	Aluminum	Right	0.43	135°	115°	135°	80°
Q1902	Steel	Right	0.79	135°	115°	135°	80°
B1903	Aluminum	Left	0.43	135°	115°	135°	80°
Q1903	Steel	Left	0.79	135°	115°	135°	80°
B1907	Aluminum	Central	0.41	135°	115°	135°	80°
B1908	Aluminum	Right	0.43	135°	115°	135°	80°
B1909	Aluminum	Left	0.43	135°	115°	135°	80°

Screws: M6x25 Tightening torque: 10 N m / 7.37 lb-ft

19 mm shaft – 45 mm offset

PART NO.	MATERIAL	VERSION	WEIGHT (kg)	MAX OP. ANGLE POS. 1	MAX OP. ANGLE POS. 2	MAX OP. ANGLE POS. 3	MAX OP. ANGLE POS. 4
B1904	Aluminum	Central	0.45	135°	135°	135°	80°
Q1904	Steel	Central	0.77	135°	135°	135°	80°
B1905	Aluminum	Right	0.46	135°	135°	135°	80°
Q1905	Steel	Right	0.81	135°	135°	135°	80°
B1906	Aluminum	Left	0.46	135°	135°	135°	80°
Q1906	Steel	Left	0.81	135°	135°	135°	80°

Screws: M6x25 Tightening torque: 10 N m / 7.37 lb-ft

See "Special arm types" under the Accessories section at p. 236