



C1P63E

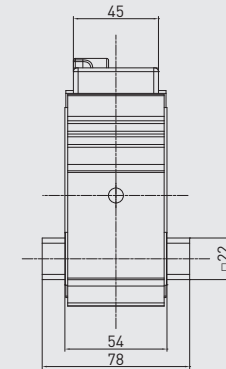
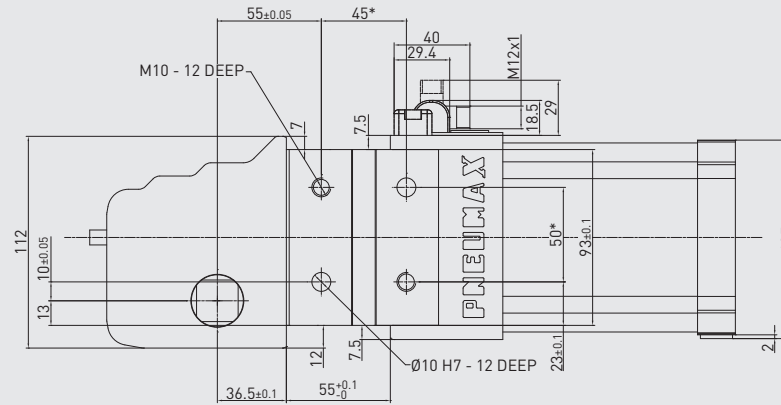
Power clamp
European std
63 mm bore

WEIGHT



* DIMENSIONAL TOLERANCE FOR DOWEL HOLES: ± 0.02
DIMENSIONAL TOLERANCE FOR THREADED HOLES: ± 0.1

REV. 00 - 31/03/2015



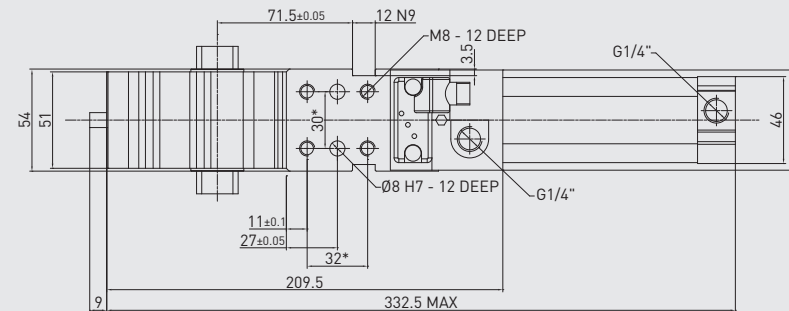
Technical features

Manual release button to open the linkage when air pressure is removed during setup.
Pneumatic **ports on both sides** of the cylinder.

Operating features

Operating pressure from 2 to 8 bar

Lubrication all the devices are lubricated for life at the factory. Inline air lubrication isn't required

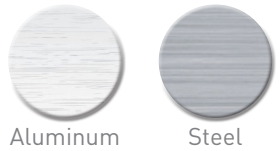


Subject to change
without notice



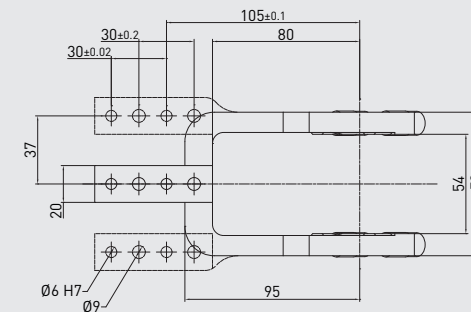
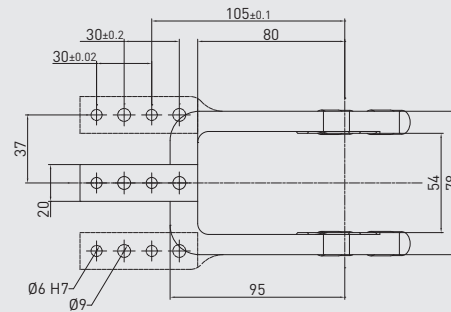
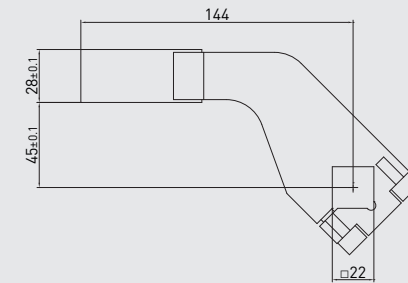
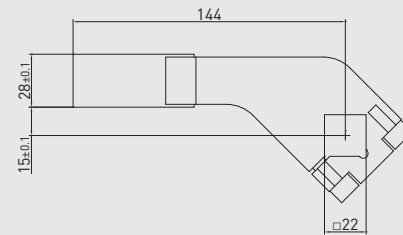
CLAMPING ARMS

22 mm shaft



Aluminum

Steel



22 mm shaft – 15 mm offset



PART NO.	MATERIAL	VERSION	WEIGHT (kg)	MAX OP. ANGLE POS. 1	MAX OP. ANGLE POS. 2	MAX OP. ANGLE POS. 3	MAX OP. ANGLE POS. 4
B2201	Aluminum	Central	0.52	135°	115°	135°	80°
Q2201	Steel	Central	0.9	135°	115°	135°	80°
B2202	Aluminum	Right	0.54	135°	115°	135°	80°
Q2202	Steel	Right	0.93	135°	115°	135°	80°
B2203	Aluminum	Left	0.54	135°	115°	135°	80°
Q2203	Steel	Left	0.93	135°	115°	135°	80°

Screws: M8x25 Tightening torque: 25 N m

22 mm shaft – 45 mm offset



PART NO.	MATERIAL	VERSION	WEIGHT (kg)	MAX OP. ANGLE POS. 1	MAX OP. ANGLE POS. 2	MAX OP. ANGLE POS. 3	MAX OP. ANGLE POS. 4
B2204	Aluminum	Central	0.57	135°	135°	135°	75°
Q2204	Steel	Central	0.98	135°	135°	135°	75°
B2205	Aluminum	Right	0.58	135°	135°	135°	75°
Q2205	Steel	Right	1.02	135°	135°	135°	75°
B2206	Aluminum	Left	0.58	135°	135°	135°	75°
Q2206	Steel	Left	1.02	135°	135°	135°	75°

Screws: M8x25 Tightening torque: 25 N m

Subject to change without notice