



WEIGHT



* DIMENSIONAL TOLERANCE FOR DOWEL HOLES: ± 0.02
DIMENSIONAL TOLERANCE FOR THREADED HOLES: ± 0.1

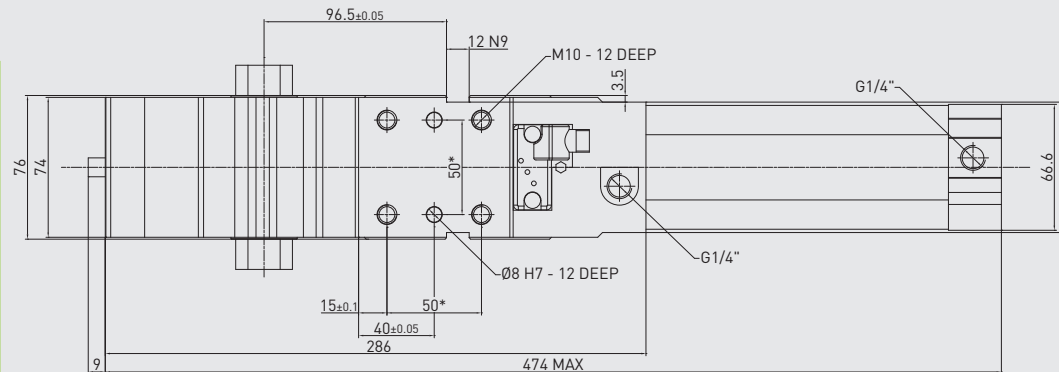
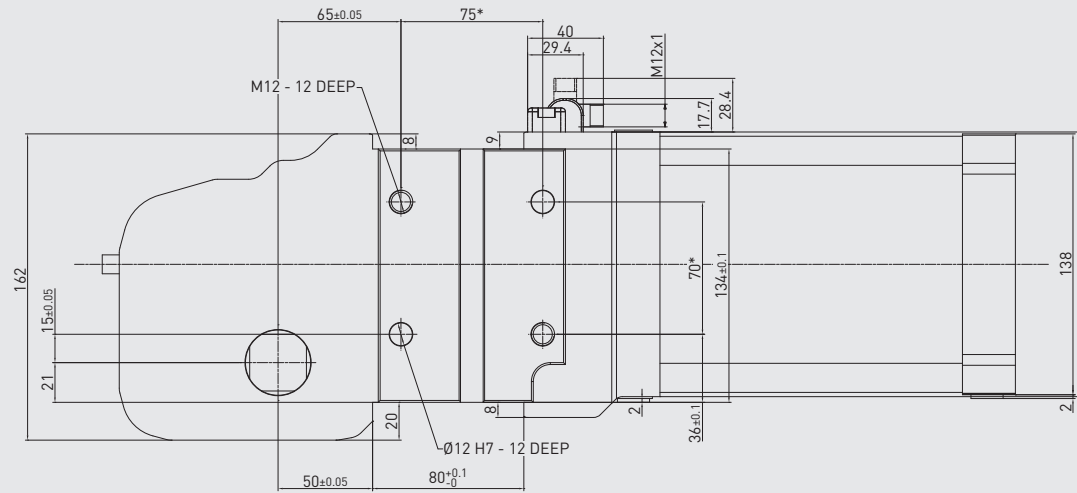
REV. 00 - 31/03/2015

C1P80E

Power clamp

European std

80 mm bore



Technical features

Manual release button to open the linkage when air pressure is removed during setup.
Pneumatic **ports on both sides** of the cylinder.

Operating features

Operating pressure from 2 to 8 bar

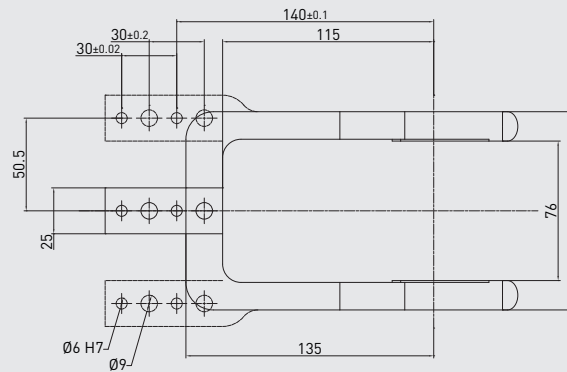
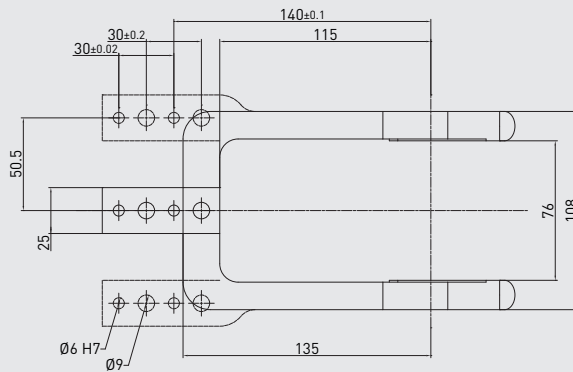
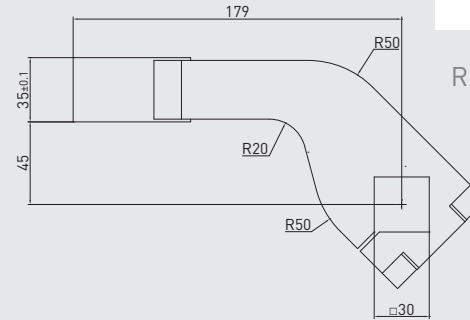
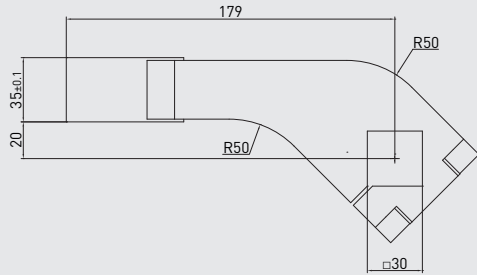
Lubrication all the devices are lubricated for life at the factory. Inline air lubrication isn't required

Subject to change
without notice

REV. 00 - 29/05/2015

CLAMPING ARMS

30 mm shaft



30 mm shaft – 20 mm offset



PART NO.	MATERIAL	VERSION	WEIGHT (kg)	MAX OP. ANGLE POS. 1	MAX OP. ANGLE POS. 2	MAX OP. ANGLE POS. 3	MAX OP. ANGLE POS. 4
B3001	Aluminum	Central	1.1	135°	110°	135°	75°
B3002	Aluminum	Right	1.15	135°	110°	135°	75°
B3003	Aluminum	Left	1.15	135°	110°	135°	75°

Screws: M10x35 Tightening torque: 35 N m

30 mm shaft – 45 mm offset



PART NO.	MATERIAL	VERSION	WEIGHT (kg)	MAX OP. ANGLE POS. 1	MAX OP. ANGLE POS. 2	MAX OP. ANGLE POS. 3	MAX OP. ANGLE POS. 4
B3004	Aluminum	Central	1.18	135°	110°	135°	75°
B3005	Aluminum	Right	1.2	135°	110°	135°	75°
B3006	Aluminum	Left	1.2	135°	110°	135°	75°

Screws: M10x35 Tightening torque: 35 N m

Subject to change without notice

