



WEIGHT



* DIMENSIONAL TOLERANCE FOR DOWEL HOLES: ± 0.02
 DIMENSIONAL TOLERANCE FOR THREADED HOLES: ± 0.1
 NAAMS DIMENSIONAL VALUES ARE HIGHLIGHTED

REV. 00 - 31/03/2015

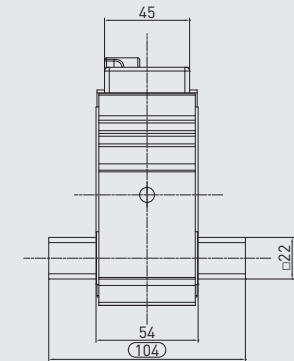
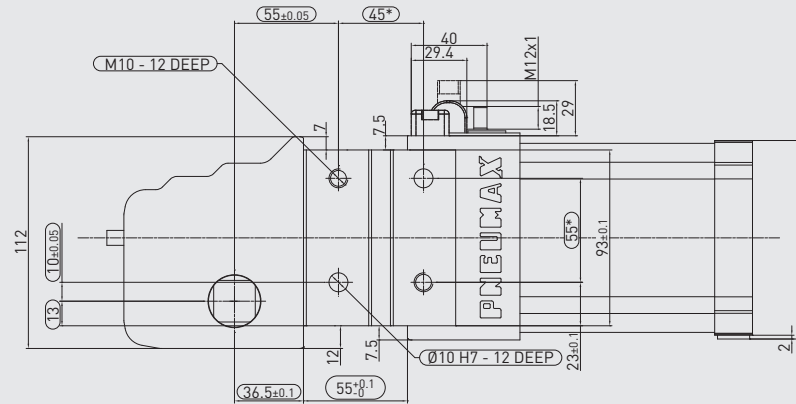
GLOBAL STANDARD COMPONENTS
NAAMS

C2P63E

Power clamp

NAAMS std

63 mm bore



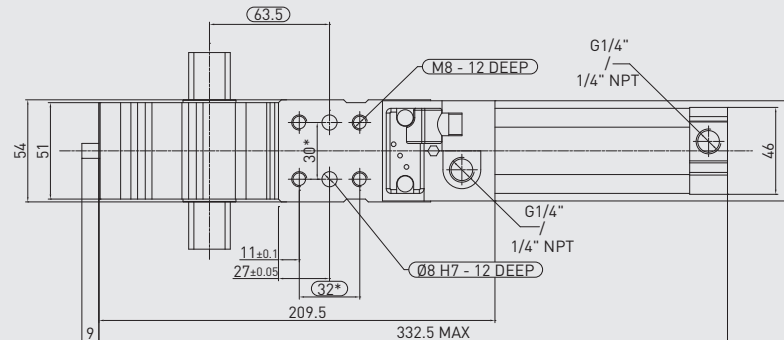
Technical features

Manual release button to open the linkage when air pressure is removed during setup.
 Pneumatic **ports on both sides** of the cylinder.

Operating features

Operating pressure from 2 to 8 bar

Lubrication all the devices are lubricated for life at the factory. Inline air lubrication isn't required



Subject to change
 without notice



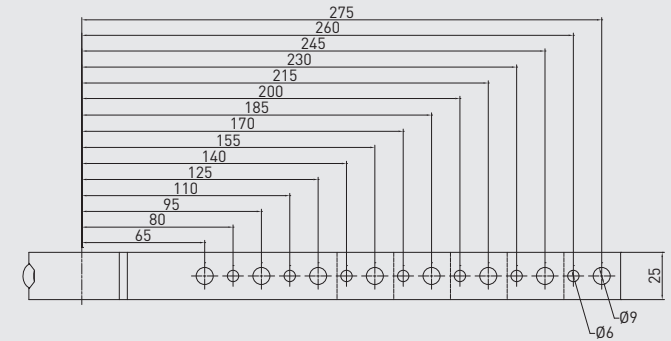
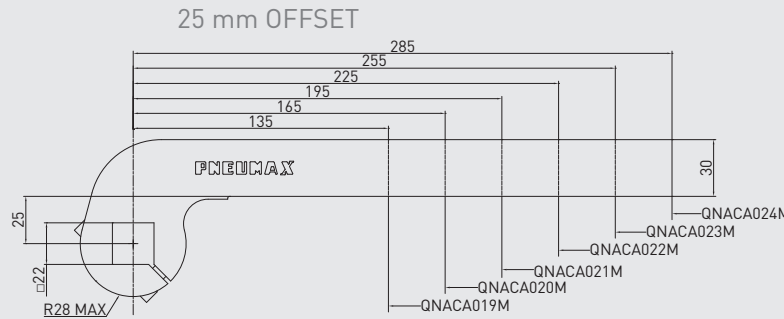
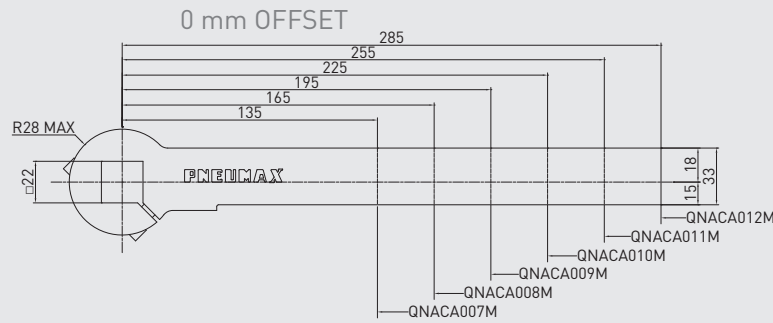
GLOBAL STANDARD COMPONENTS
NAAMS

CLAMPING ARMS

22 mm shaft



Steel



22 mm shaft – 0 mm offset

PART NO.	MATERIAL	LENGTH	WEIGHT (kg)	MAX OP. ANGLE POS. 1	MAX OP. ANGLE POS. 2	MAX OP. ANGLE POS. 3	MAX OP. ANGLE POS. 4
QNACA007M	Steel	135	0.72	135°	135°	135°	135°
QNACA008M	Steel	165	0.83	135°	135°	135°	135°
QNACA009M	Steel	195	0.94	135°	135°	135°	135°
QNACA010M	Steel	225	1.05	135°	135°	135°	135°
QNACA011M	Steel	255	1.16	135°	135°	135°	135°
QNACA012M	Steel	285	1.28	135°	135°	135°	135°

Screws: M8x18 Tightening torque: 25 N m



22 mm shaft – 25 mm offset

PART NO.	MATERIAL	LENGTH	WEIGHT (kg)	MAX OP. ANGLE POS. 1	MAX OP. ANGLE POS. 2	MAX OP. ANGLE POS. 3	MAX OP. ANGLE POS. 4
QNACA019M	Steel	135	0.84	135°	135°	135°	135°
QNACA020M	Steel	165	0.95	135°	135°	135°	135°
QNACA021M	Steel	195	1.05	135°	135°	135°	135°
QNACA022M	Steel	225	1.16	135°	135°	135°	135°
QNACA023M	Steel	255	1.26	135°	135°	135°	135°
QNACA024M	Steel	285	1.37	135°	135°	135°	135°

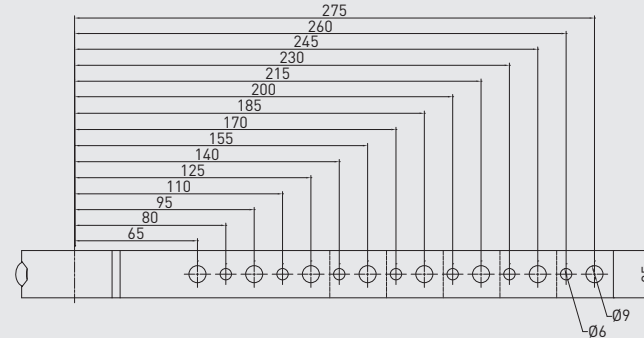
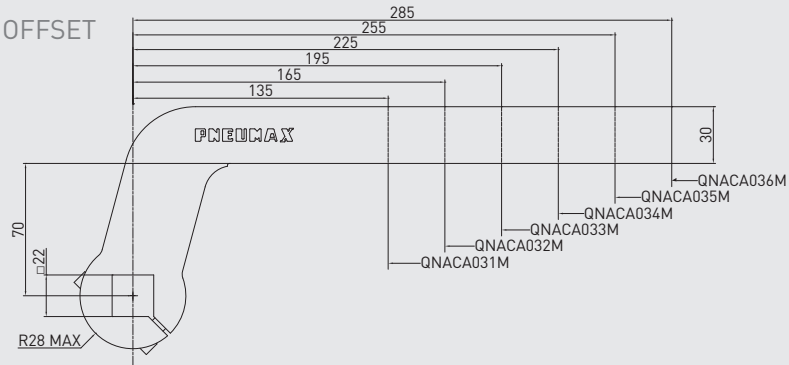
Screws: M8x18 Tightening torque: 25 N m



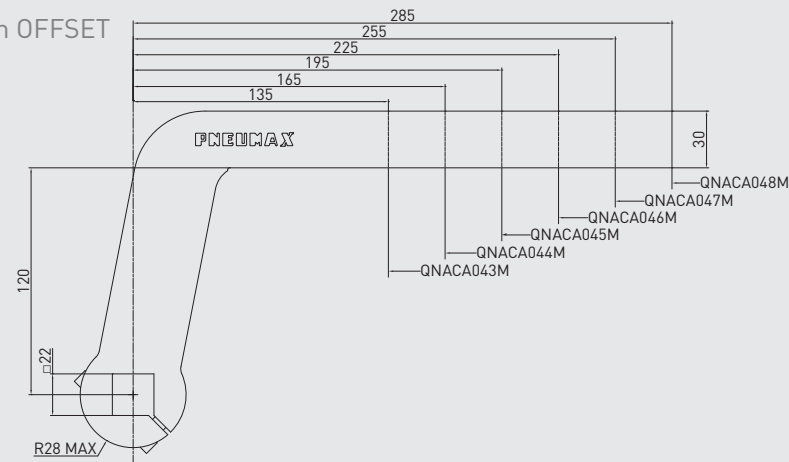
Subject to change without notice

REV. 00 - 31/03/2015

70 mm OFFSET



120 mm OFFSET



GLOBAL STANDARD COMPONENTS
NAAMS

CLAMPING ARMS

22 mm shaft



22 mm shaft – 70 mm offset

PART NO.	MATERIAL	LENGTH	WEIGHT (kg)	MAX OP. ANGLE POS. 1	MAX OP. ANGLE POS. 2	MAX OP. ANGLE POS. 3	MAX OP. ANGLE POS. 4
QNACA031M	Steel	135	1.05	135°	135°	135°	135°
QNACA032M	Steel	165	1.16	135°	135°	135°	135°
QNACA033M	Steel	195	1.27	135°	135°	135°	135°
QNACA034M	Steel	225	1.38	135°	135°	135°	135°
QNACA035M	Steel	255	1.49	135°	135°	135°	135°
QNACA036M	Steel	285	1.6	135°	135°	135°	135°

Screws: M8x18 Tightening torque: 25 N m



22 mm shaft – 120 mm offset

PART NO.	MATERIAL	LENGTH	WEIGHT (kg)	MAX OP. ANGLE POS. 1	MAX OP. ANGLE POS. 2	MAX OP. ANGLE POS. 3	MAX OP. ANGLE POS. 4
QNACA043M	Steel	135	1.27	135°	135°	135°	135°
QNACA044M	Steel	165	1.37	135°	135°	135°	135°
QNACA045M	Steel	195	1.48	135°	135°	135°	135°
QNACA046M	Steel	225	1.58	135°	135°	135°	135°
QNACA047M	Steel	255	1.69	135°	135°	135°	135°
QNACA048M	Steel	285	1.8	135°	135°	135°	135°

Screws: M8x18 Tightening torque: 25 N m



Subject to change without notice

