



* DIMENSIONAL TOLERANCE FOR DOWEL HOLES: ± 0.02
 DIMENSIONAL TOLERANCE FOR THREADED HOLES: ± 0.1

REV. 01 - 26/02/2016

WEIGHT

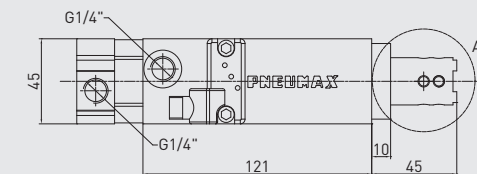
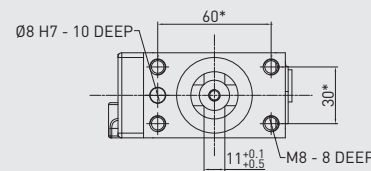
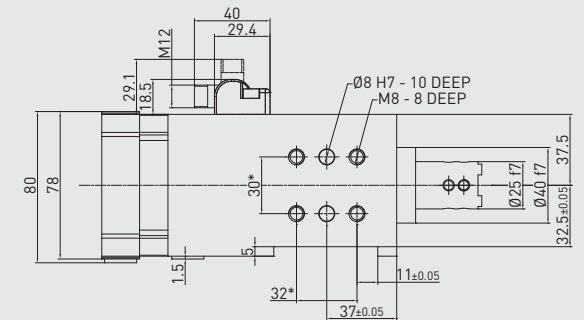
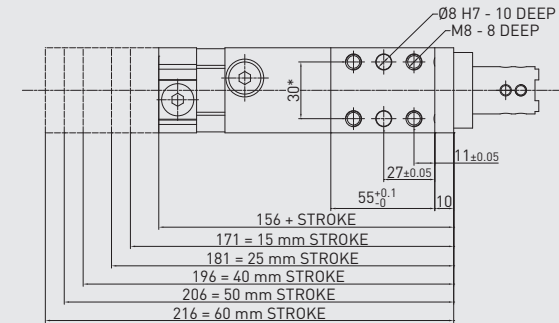
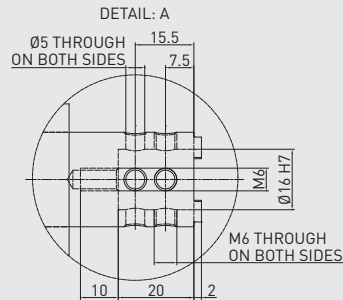


RP50E_1

Retractable locating pin package

Size 50 mm

$\varnothing 16$ mm cross-cut key rod termination



Technical features

Operating features

Operating pressure from 2 to 8 bar / from 30 to 115 psi

Lubrication all the devices are lubricated for life at the factory. Inline air lubrication isn't required

Subject to change without notice

* DIMENSIONAL TOLERANCE FOR DOWEL HOLES: ± 0.02
 DIMENSIONAL TOLERANCE FOR THREADED HOLES: ± 0.1
 REV. 01 - 26/02/2016

WEIGHT

kg
1.85
 min. stroke
 version

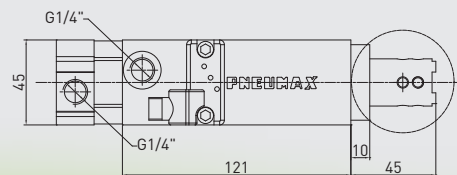
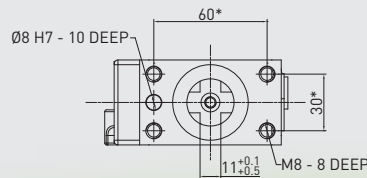
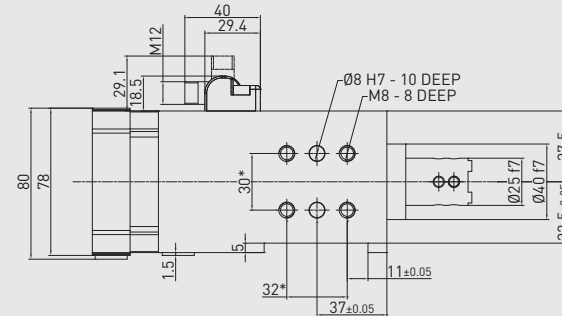
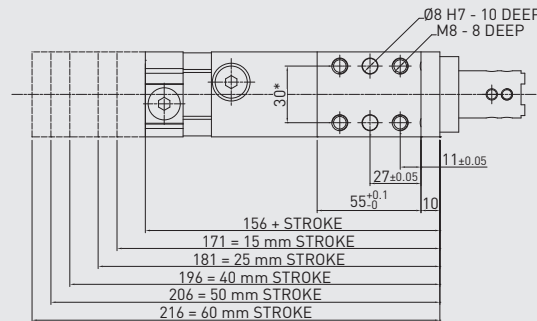
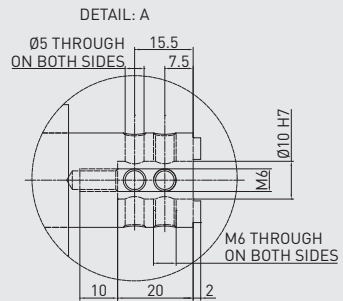
kg
2.1
 max. stroke
 version

RP50E_2

Retractable locating
 pin package

Size 50 mm

$\varnothing 10$ mm cross-cut
 key rod termination



Technical features	
Operating features	
Operating pressure	from 2 to 8 bar / from 30 to 115 psi
Lubrication	all the devices are lubricated for life at the factory. Inline air lubrication isn't required



* DIMENSIONAL TOLERANCE FOR DOWEL HOLES: ± 0.02
 DIMENSIONAL TOLERANCE FOR THREADED HOLES: ± 0.1

REV. 00 - 31/03/2015

WEIGHT

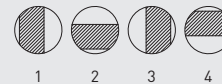
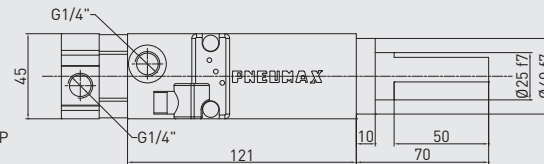
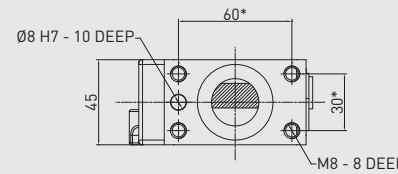
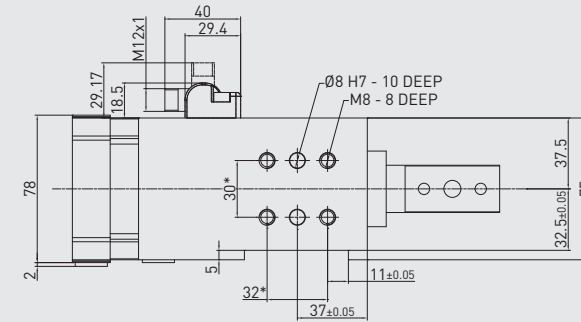
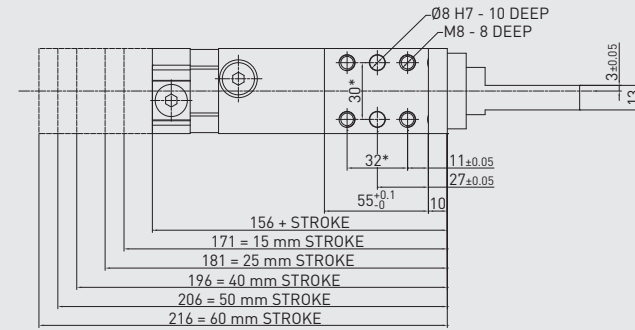


RP50E_3

Retractable locating pin package

Size 50 mm

Rod termination for offset pins



Technical features

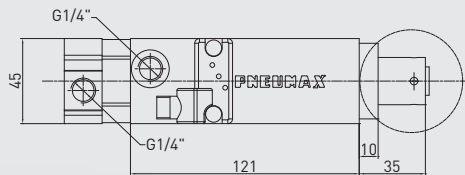
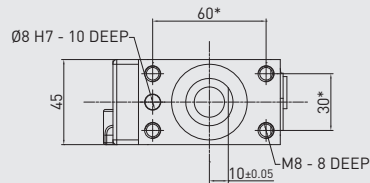
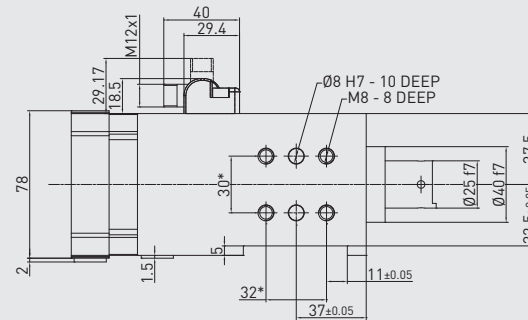
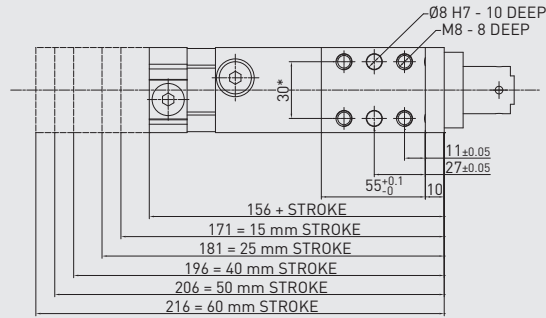
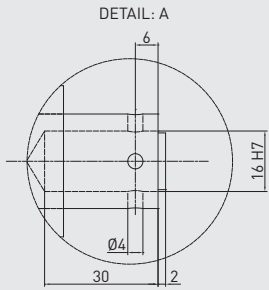
Operating features

Operating pressure from 2 to 8 bar / from 30 to 115 psi

Lubrication all the devices are lubricated for life at the factory. Inline air lubrication isn't required

Subject to change without notice

* DIMENSIONAL TOLERANCE FOR DOWEL HOLES: ± 0.02
 DIMENSIONAL TOLERANCE FOR THREADED HOLES: ± 0.1
 REV. 00 - 31/03/2015



WEIGHT

kg 1.85
min. stroke version

kg 2.1
max. stroke version

RP50E_4

Retractable locating
pin package

Size 50 mm

Rod termination with key

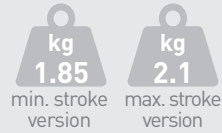
Technical features	
Operating features	
Operating pressure	from 2 to 8 bar / from 30 to 115 psi
Lubrication	all the devices are lubricated for life at the factory. Inline air lubrication isn't required



* DIMENSIONAL TOLERANCE FOR DOWEL HOLES: ± 0.02
 DIMENSIONAL TOLERANCE FOR THREADED HOLES: ± 0.1

REV. 00 - 14/03/2016

WEIGHT

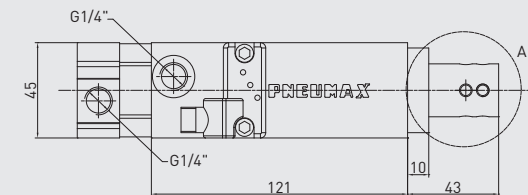
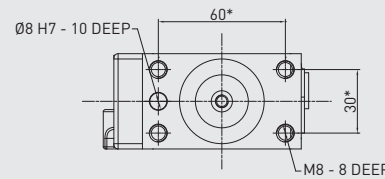
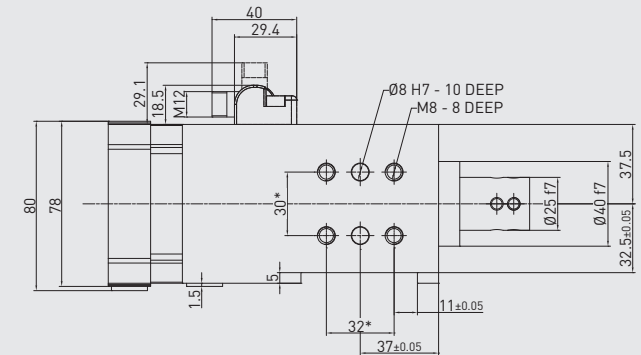
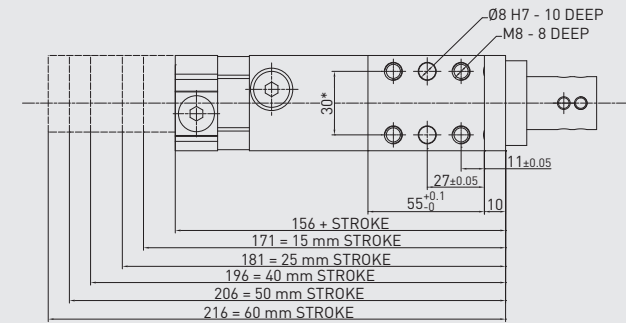
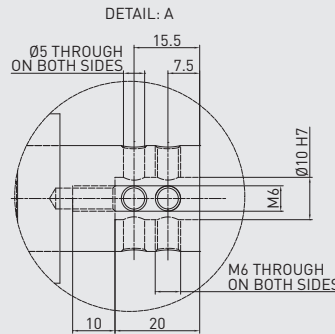


RP50E_5

Retractable locating
 pin package

Size 50 mm

$\varnothing 10$ mm flat termination



Technical features

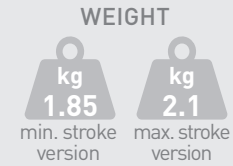
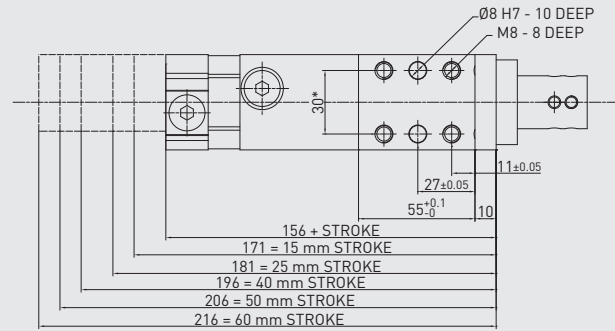
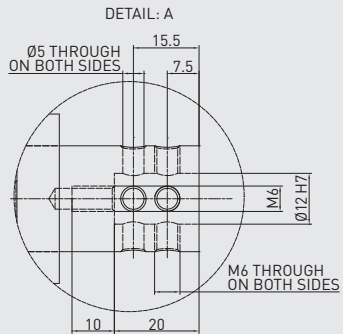
Operating features

Operating pressure from 2 to 8 bar / from 30 to 115 psi

Lubrication all the devices are lubricated for life at the factory. Inline air lubrication isn't required

Subject to change
 without notice

* DIMENSIONAL TOLERANCE FOR DOWEL HOLES: ± 0.02
 DIMENSIONAL TOLERANCE FOR THREADED HOLES: ± 0.1
 REV. 00 - 14/03/2016

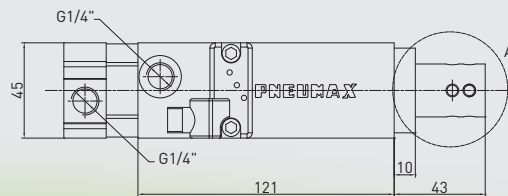
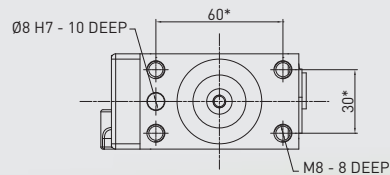
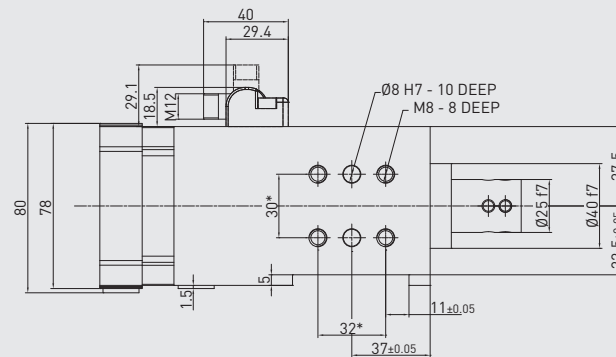


RP50E_6

Retractable locating
pin package

Size 50 mm

$\varnothing 12$ mm flat termination



Technical features	
Operating features	
Operating pressure	from 2 to 8 bar / from 30 to 115 psi
Lubrication	all the devices are lubricated for life at the factory. Inline air lubrication isn't required