



INNOVATION DOWN TO THE LAST DETAIL

* DIMENSIONAL TOLERANCE FOR DOWEL HOLES: ± 0.02
 DIMENSIONAL TOLERANCE FOR THREADED HOLES: ± 0.1
 REV. 01 - 29/02/2016

WEIGHT

kg 2.45
min. stroke version

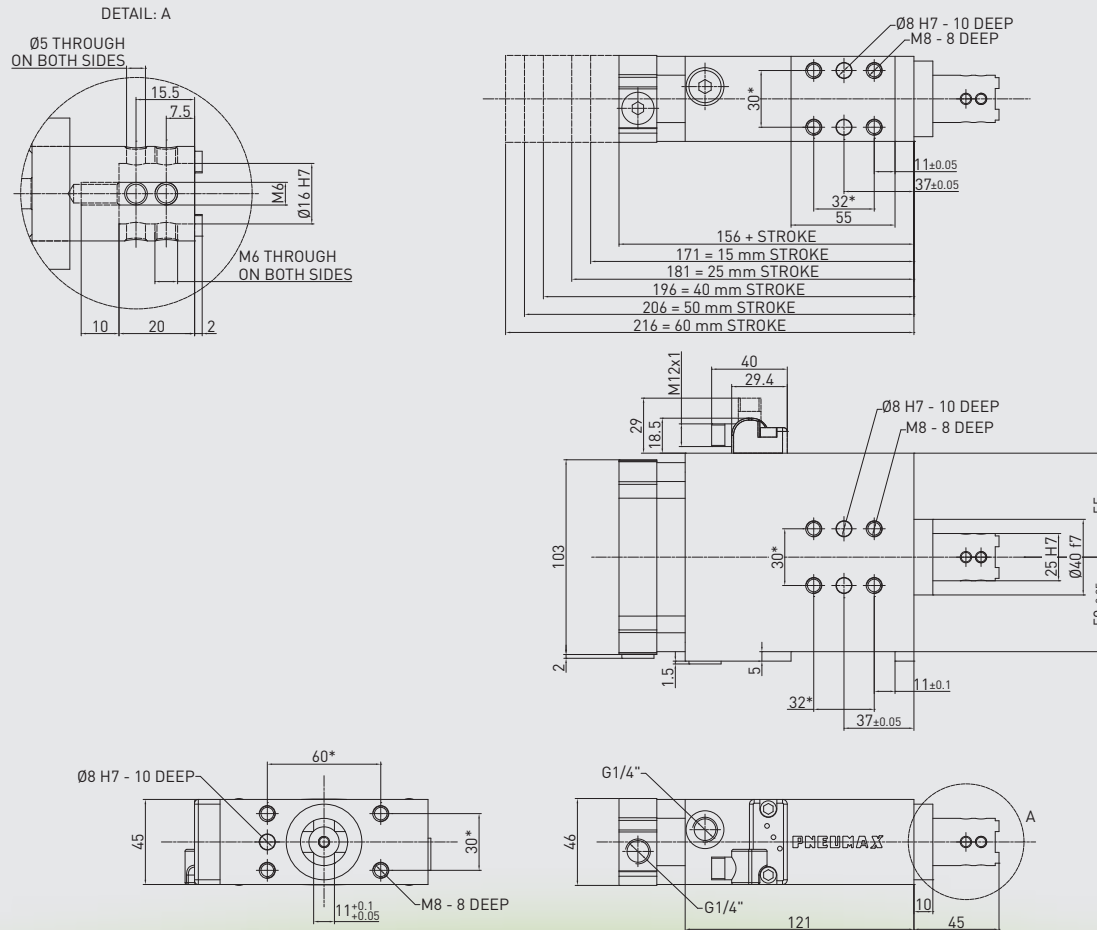
kg 2.75
max. stroke version

RP63E_1

Retractable locating
pin package

Size 63 mm

$\varnothing 16$ mm cross-cut
key rod termination



Technical features

Operating features

Operating pressure	from 2 to 8 bar / from 30 to 115 psi
Lubrication	all the devices are lubricated for life at the factory. Inline air lubrication isn't required



RP63E_2

Retractable locating pin package

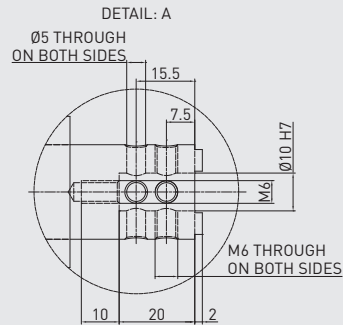
Size 63 mm

∅10 mm cross-cut key rod termination

WEIGHT

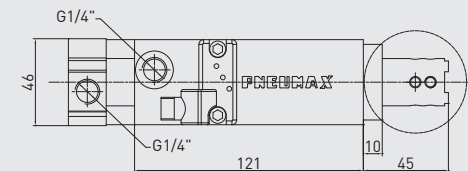
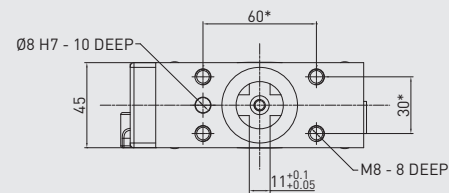
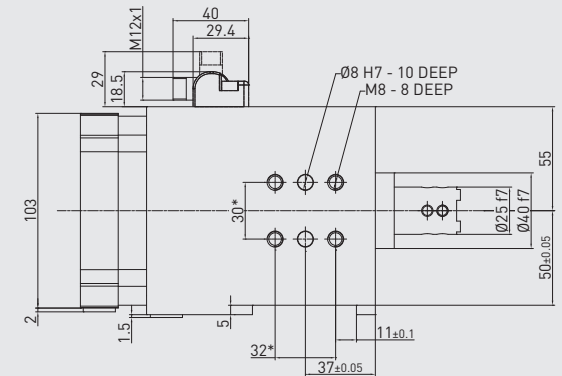
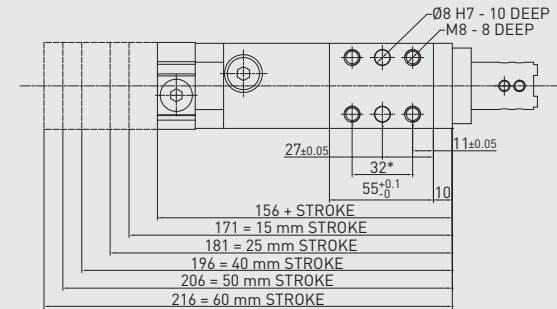
kg
2.45
min. stroke version

kg
2.75
max. stroke version



* DIMENSIONAL TOLERANCE FOR DOWEL HOLES: ±0.02
DIMENSIONAL TOLERANCE FOR THREADED HOLES: ±0.1

REV. 01 - 29/02/2016



Technical features

Operating features

Operating pressure from 2 to 8 bar / from 30 to 115 psi

Lubrication all the devices are lubricated for life at the factory. Inline air lubrication isn't required

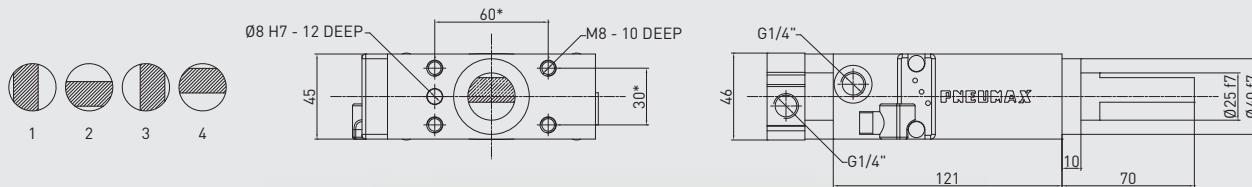
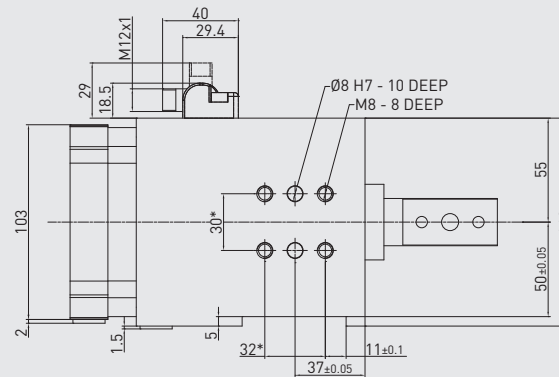
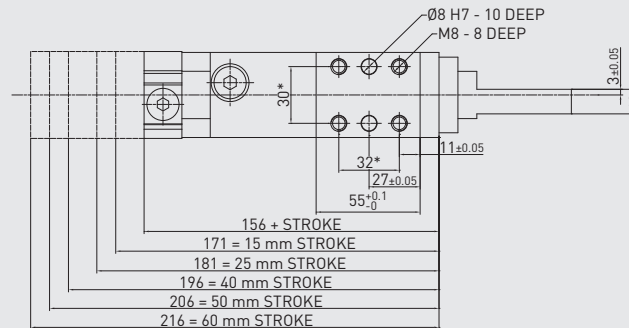
Subject to change without notice

* DIMENSIONAL TOLERANCE FOR DOWEL HOLES: ± 0.02
 DIMENSIONAL TOLERANCE FOR THREADED HOLES: ± 0.1
 REV. 00 - 31/03/2015

WEIGHT

kg
2.45
 min. stroke version

kg
2.75
 max. stroke version



RP63E_3

Retractable locating pin package

Size 63 mm

Rod termination for offset pins

Technical features

Operating features	
Operating pressure	from 2 to 8 bar / from 30 to 115 psi
Lubrication	all the devices are lubricated for life at the factory. Inline air lubrication isn't required



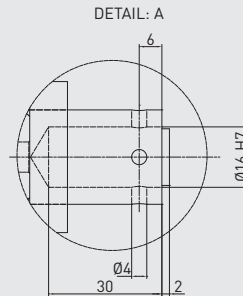
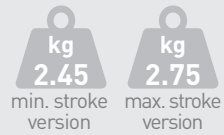
RP63E_4

Retractable locating
pin package

Size 63 mm

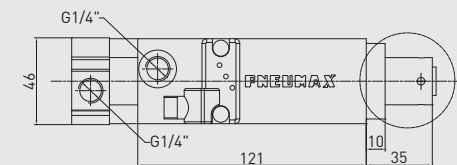
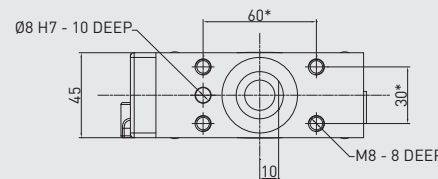
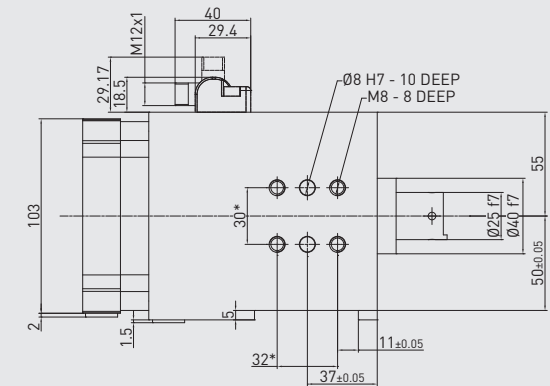
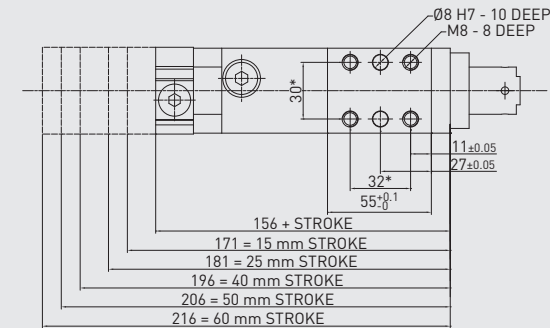
Rod termination with key

WEIGHT



* DIMENSIONAL TOLERANCE FOR DOWEL HOLES: ± 0.02
DIMENSIONAL TOLERANCE FOR THREADED HOLES: ± 0.1

REV. 00 - 31/03/2015



Technical features

Operating features

Operating pressure from 2 to 8 bar / from 30 to 115 psi

Lubrication all the devices are lubricated for life at the factory. Inline air lubrication isn't required

Subject to change
without notice



INNOVATION DOWN TO THE LAST DETAIL

* DIMENSIONAL TOLERANCE FOR DOWEL HOLES: ± 0.02
DIMENSIONAL TOLERANCE FOR THREADED HOLES: ± 0.1
REV. 00 -15/03/2016

WEIGHT

kg
2.45
min. stroke
version

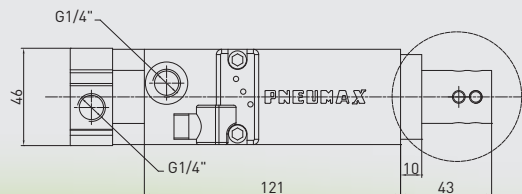
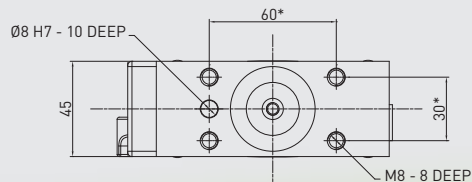
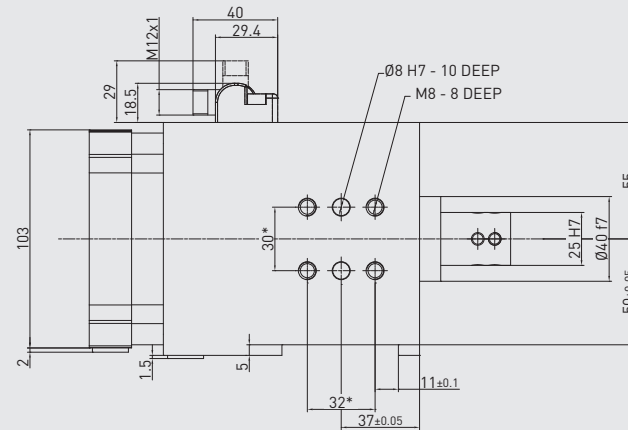
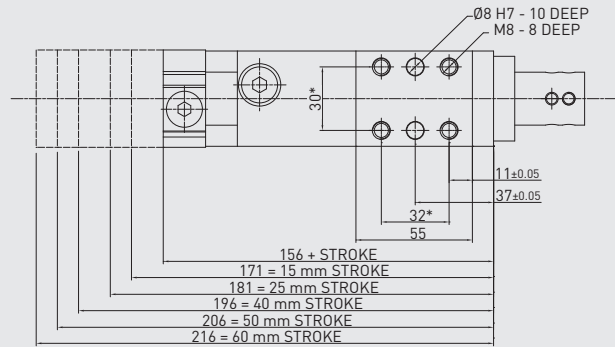
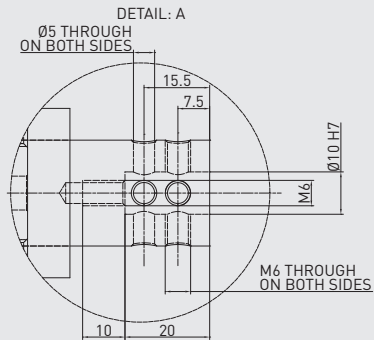
kg
2.75
max. stroke
version

RP63E_5

Retractable locating
pin package

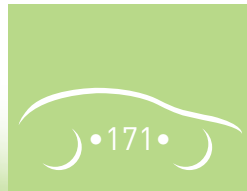
Size 63 mm

$\varnothing 10$ mm flat termination



Technical features

Operating features	
Operating pressure	from 2 to 8 bar / from 30 to 115 psi
Lubrication	all the devices are lubricated for life at the factory. Inline air lubrication isn't required





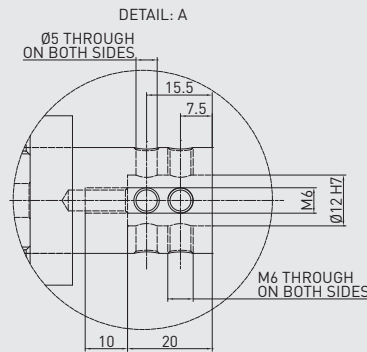
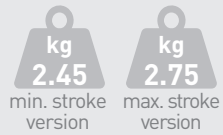
RP63E_6

Retractable locating
pin package

Size 63 mm

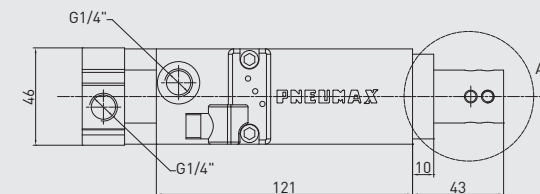
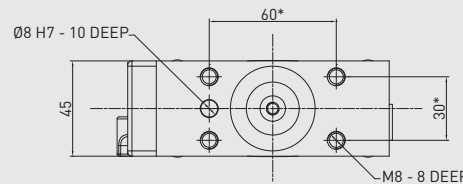
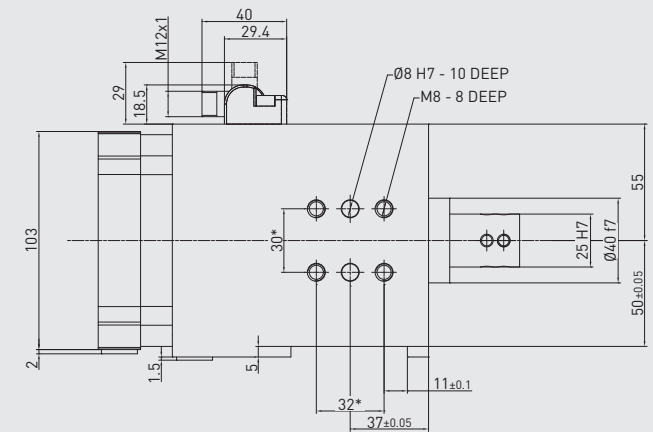
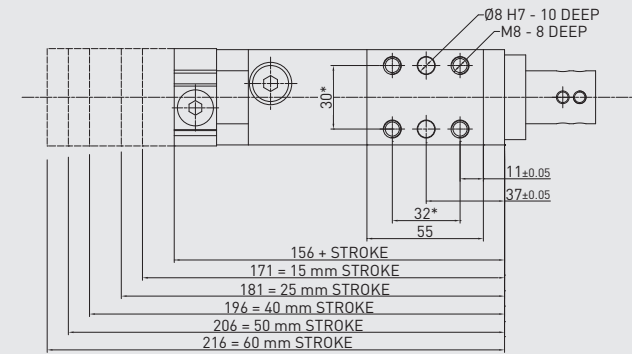
∅12 mm flat termination

WEIGHT



* DIMENSIONAL TOLERANCE FOR DOWEL HOLES: ±0.02
DIMENSIONAL TOLERANCE FOR THREADED HOLES: ±0.1

REV. 00 - 15/03/2016



Technical features

Operating features

Operating pressure from 2 to 8 bar / from 30 to 115 psi

Lubrication all the devices are lubricated for life at the factory. Inline air lubrication isn't required

Subject to change
without notice