



CNOMO

RC50E_1

Retractable locating pin
package with CNOMO
mounting pattern

Size 50 mm

∅ 12 mm rod termination

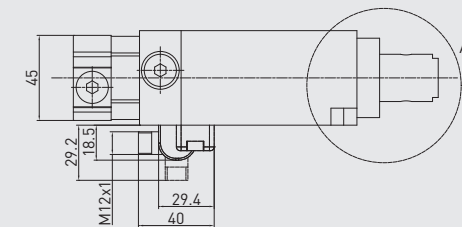
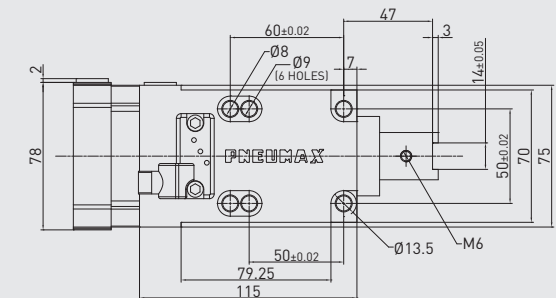
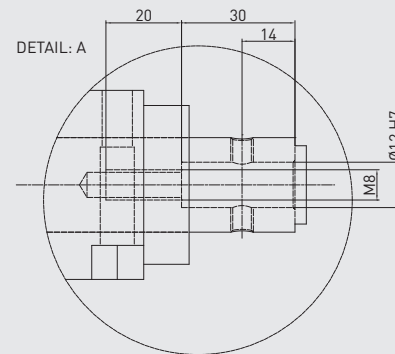
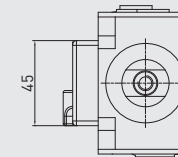
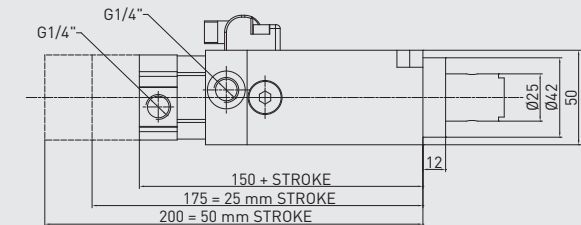
WEIGHT

kg 1.8
min. stroke
version

kg 1.9
max. stroke
version

* DIMENSIONAL TOLERANCE FOR DOWEL HOLES: ±0.02
DIMENSIONAL TOLERANCE FOR THREADED HOLES: ±0.1

REV. 00 - 31/03/2015



Technical features

Operating features

Operating pressure from 2 to 8 bar

Lubrication all the devices are lubricated for life at the factory. Inline air lubrication isn't required

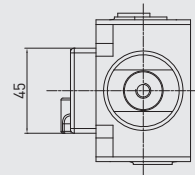
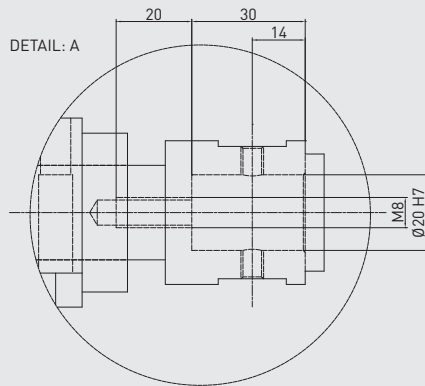
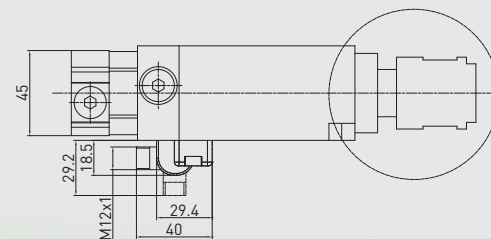
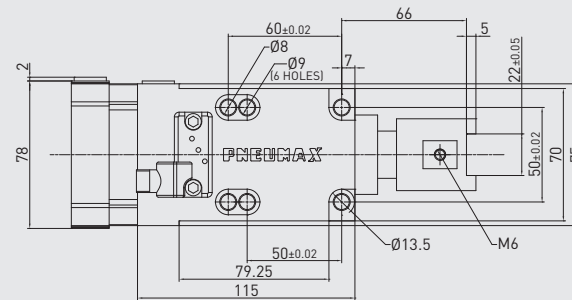
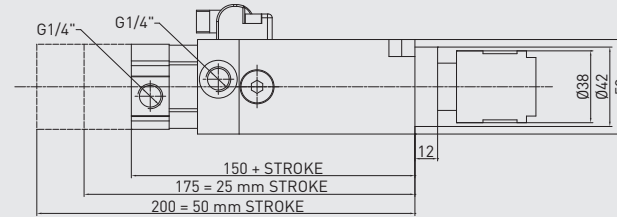
Subject to change
without notice

* DIMENSIONAL TOLERANCE FOR DOWEL HOLES: ± 0.02
 DIMENSIONAL TOLERANCE FOR THREADED HOLES: ± 0.1
 REV. 00 - 31/03/2015

WEIGHT

kg 2
min. stroke version

kg 2.1
max. stroke version



CNOMO
RC50E_2

Retractable locating pin
 package with CNOMO
 mounting pattern

Size 50 mm

\varnothing 20 mm rod termination

Technical features

Operating features	
Operating pressure	from 2 to 8 bar
Lubrication	all the devices are lubricated for life at the factory. Inline air lubrication isn't required

Subject to change without notice

