

* DIMENSIONAL TOLERANCE FOR DOWEL HOLES: ± 0.02
 DIMENSIONAL TOLERANCE FOR THREADED HOLES: ± 0.1
 REV. 00 - 07/03/2017

WEIGHT

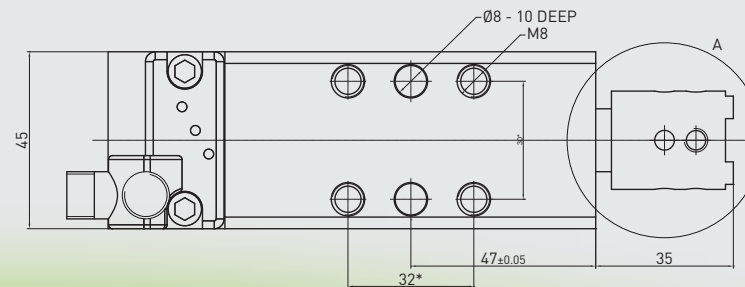
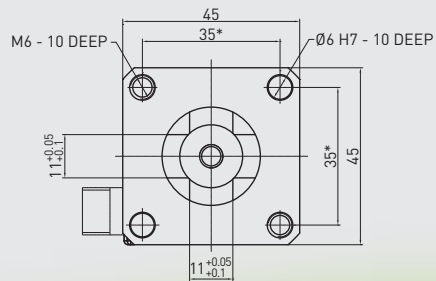
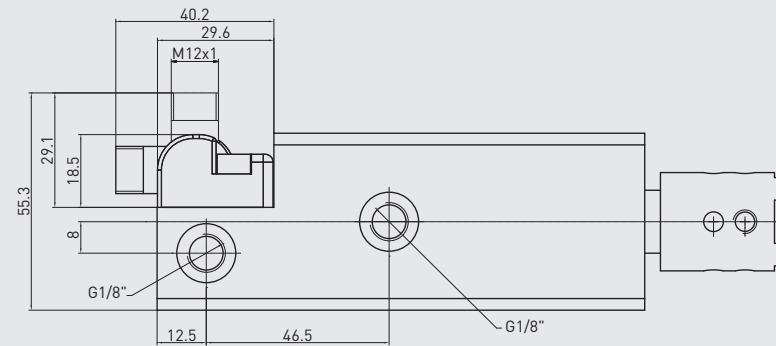
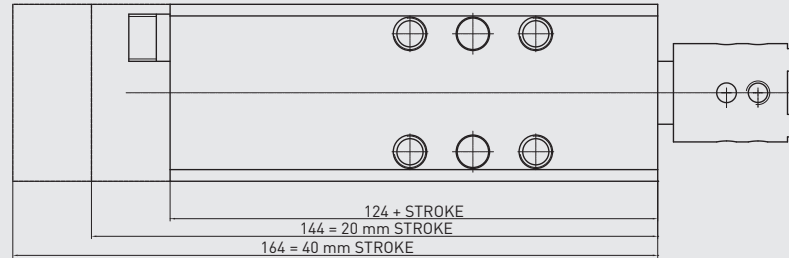
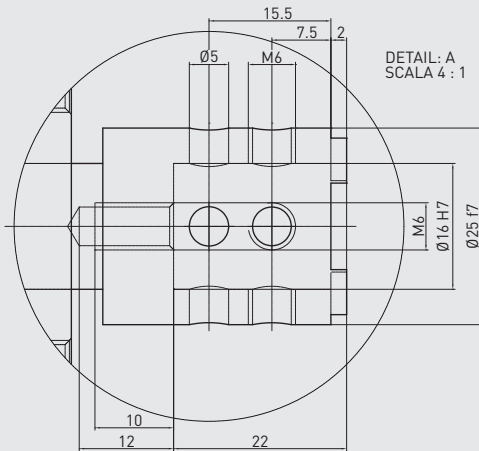
kg
0.88
 min. stroke
 version

RP32E_1

Retractable locating
 pin package

Size 32 mm

$\varnothing 16$ mm cross-cut
 key rod termination



Technical features

Operating features

Operating pressure from 2 to 8 bar / from 30 to 115 psi

Lubrication all the devices are lubricated for life at the factory. Inline air lubrication isn't required



WEIGHT

kg
0.88
min. stroke
version

* DIMENSIONAL TOLERANCE FOR DOWEL HOLES: ± 0.02
DIMENSIONAL TOLERANCE FOR THREADED HOLES: ± 0.1

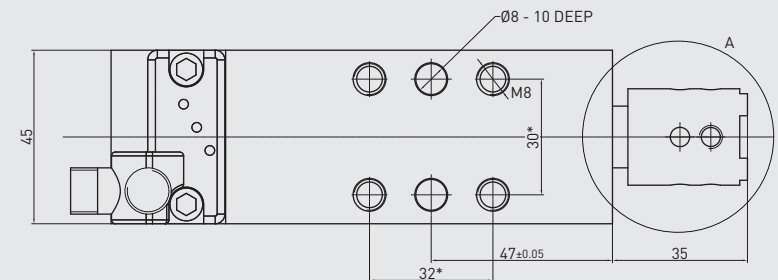
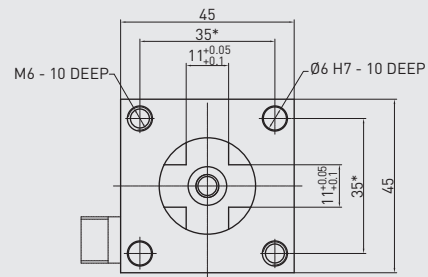
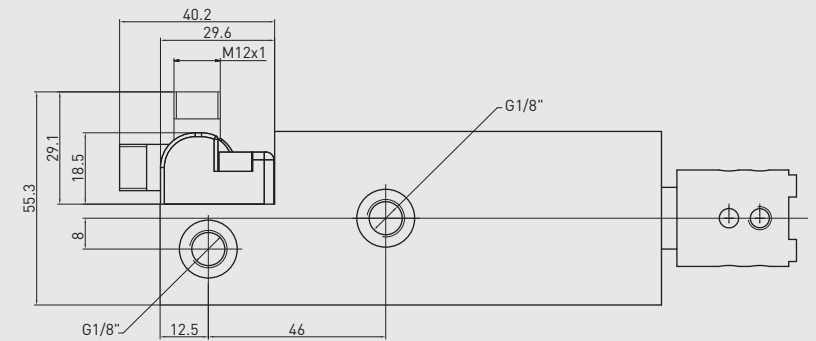
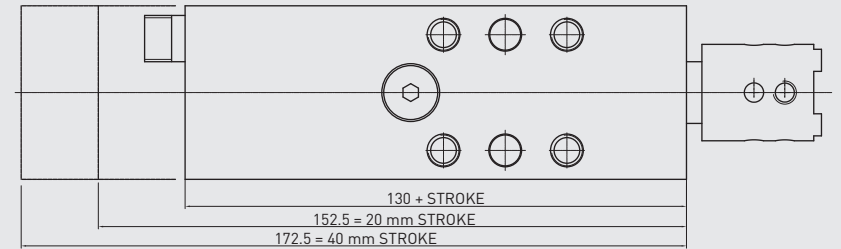
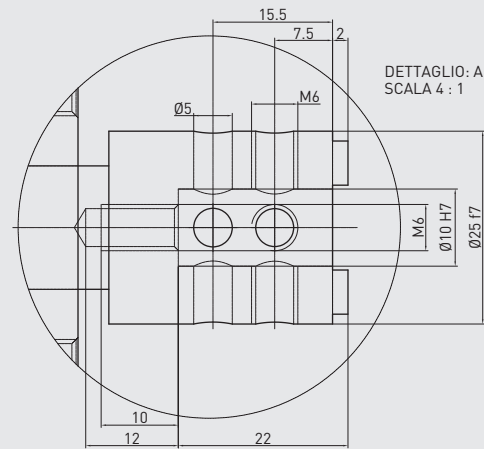
REV. 00 - 00/00/0000

RP32E_2

Retractable locating
pin package

Size 32 mm

$\varnothing 10$ mm cross-cut
key rod termination



Technical features

Operating features

Operating pressure from 2 to 8 bar / from 30 to 115 psi

Lubrication all the devices are lubricated for life at the factory. Inline air lubrication isn't required

Subject to change
without notice