



REV. 00 - 31/07/2018

WEIGHT

kg 1.8
min. stroke version

kg 1.9
max. stroke version

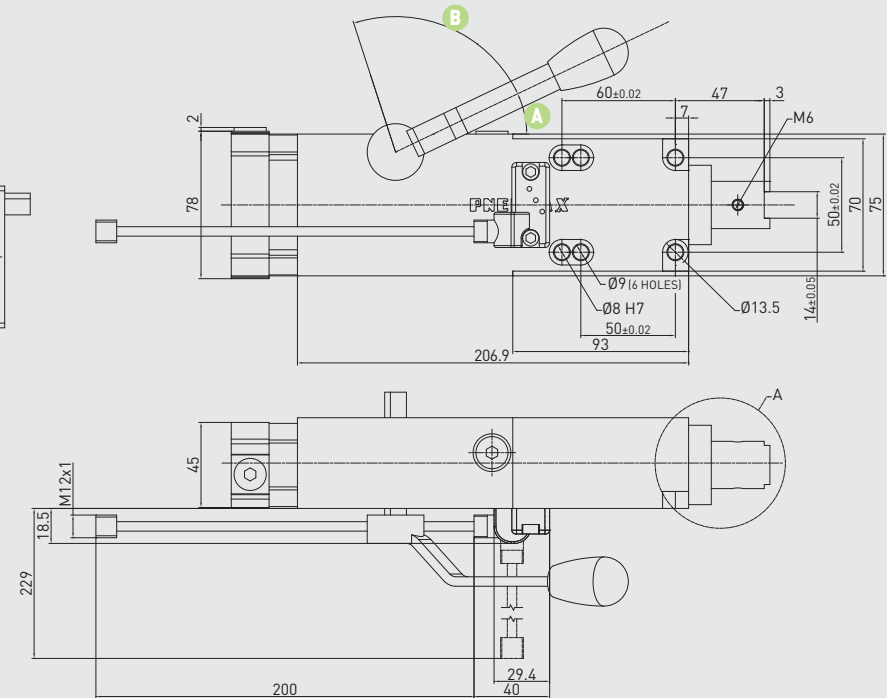
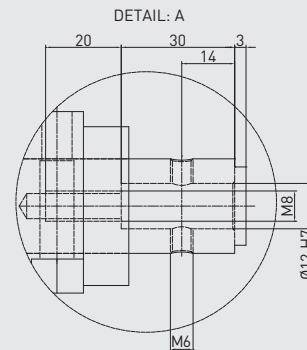
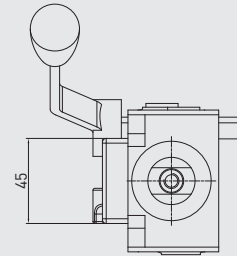
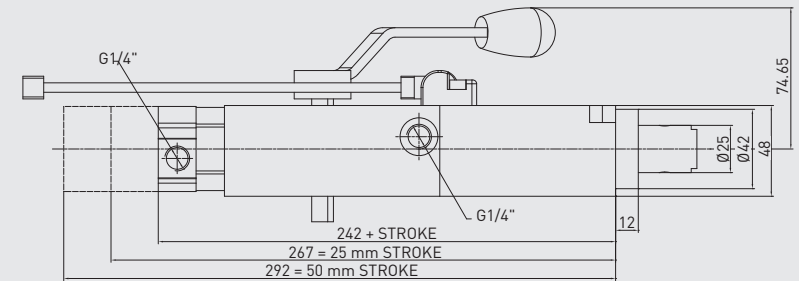
CNOMO

RCD50__1

Retractable locating pin package with CNOMO mounting pattern and manual operation

Size 50 mm

∅ 12 mm rod termination



Handle swivel angle

Stroke	Handle swivel angle A	Handle swivel angle B
25	70°	38°
50	25°	83°

Technical features

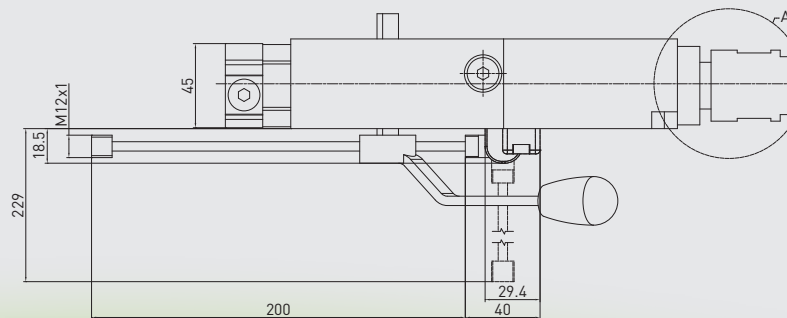
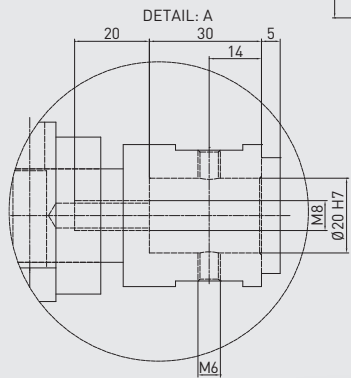
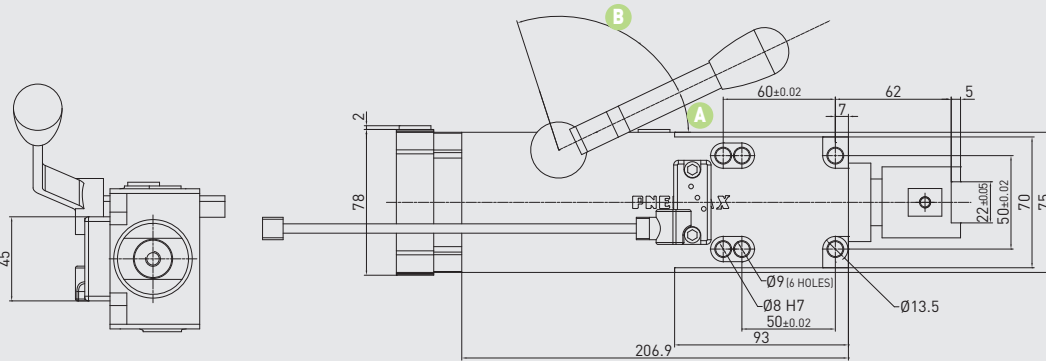
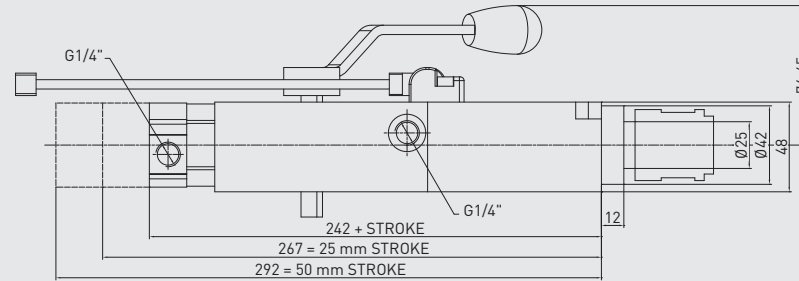
Operating features

Operating pressure	from 2 to 8 bar / from 30 to 115 psi
Lubrication	all the devices are lubricated for life at the factory. Inline air lubrication isn't required

Subject to change without notice

REV. 00 - 31/07/2018

WEIGHT



CNOMO

RCD50_2

Retractable locating pin package with CNOMO mounting pattern and manual operation

Size 50 mm

∅ 20 mm rod termination

Handle swivel angle

Stroke	Handle swivel angle A	Handle swivel angle B
25	70°	38°
50	25°	83°

Technical features

Operating features	
Operating pressure	from 2 to 8 bar / from 30 to 115 psi
Lubrication	all the devices are lubricated for life at the factory. Inline air lubrication isn't required

Subject to change without notice

